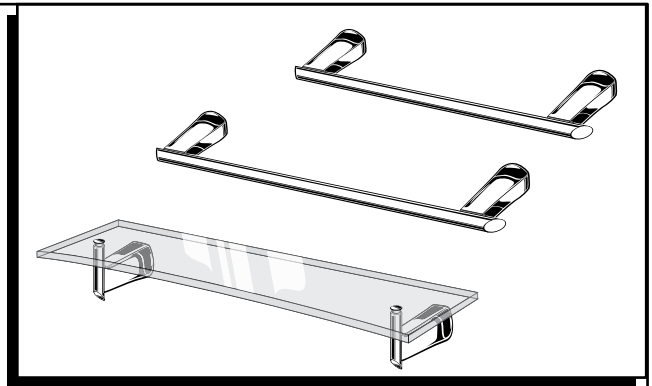


### GREEN TEA

- 18" TOWEL BAR
- 24" TOWEL BAR
- 18" GLASS SHELF
- 24" GLASS SHELF

- 7010.180
- 7010.240
- 7010.018
- 7010.024

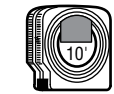
Thank you for selecting American-Standard... the benchmark of fine quality for over 100 years. To ensure that your installation proceeds smoothly... please read instructions carefully before you begin.



Certified to comply with ANSI A112.18.1

M968631 Rev. 1.2

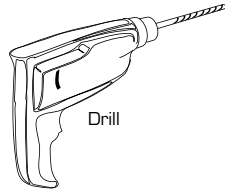
### Recommended Tools



Tape Measure



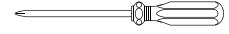
Level



Drill



Regular Screwdriver



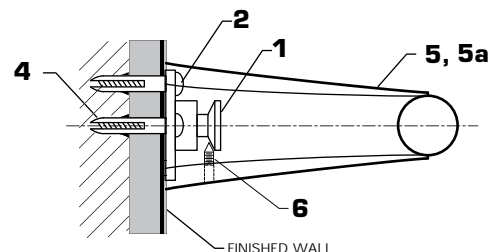
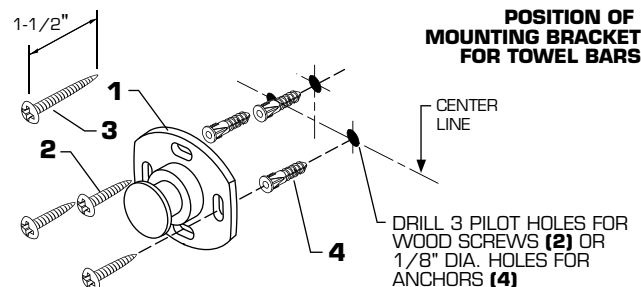
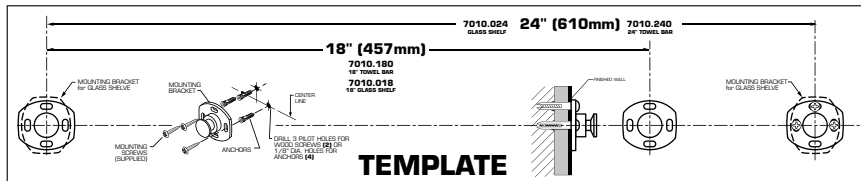
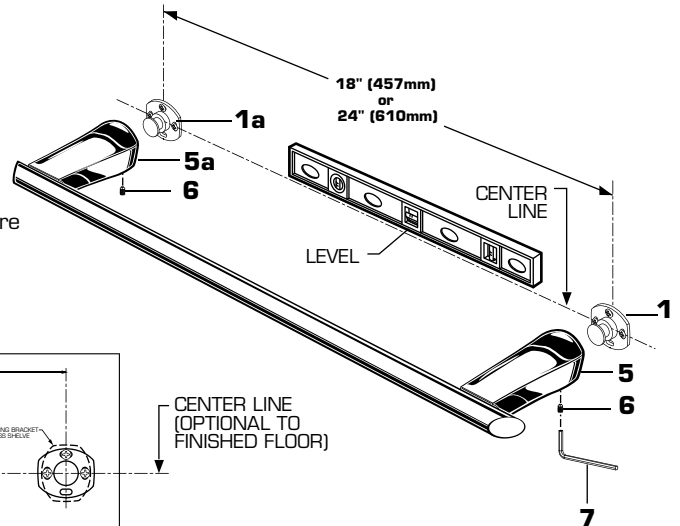
Phillips Screwdriver

## 1 MOUNTING BRACKET INSTALLATION 18" TOWEL BAR, 24" TOWEL BAR AND 24" GLASS SHELF

- The 18" TOWEL BAR, 24" TOWEL BAR and GLASS SHELF work best if secured to a wall stud or cross brace within the wall, using 1-1/2" long SCREWS (3) not supplied.
- If the 18" TOWEL BAR, 24" TOWEL BAR and GLASS SHELF are to be installed on a tile or plaster wall the ANCHORS and SCREWS should be used.
- Determine desired height and location (optional) for the accessory and mark a center line. Use the full size template supplied to mark hole locations for the mounting brackets. For the 24" TOWEL BAR and GLASS SHELF use 24" template. For 18" TOWEL BAR use 18" template. If MOUNTING BRACKET (1) is secured to a stud or cross brace drill small pilot holes for SCREWS (3).
- For installations on drywall or tiled walls, use ANCHORS (4) and SCREWS (2) for securing MOUNTING BRACKETS (1) to wall. Use MOUNTING BRACKET (1) as a template and mark the mounting holes. Drill three 1/8" diameter holes a minimum of 1-1/4" deep. Insert the three ANCHORS (4) flush with face of the finished wall.
- Secure MOUNTING PLATES (1) to wall with SCREWS (2).

## 2 INSTALL 18" TOWEL BAR, AND 24" TOWEL BAR

- Place right ESCUTCHEON (5) onto MOUNTING BRACKET (1), and secure with SET SCREW (6) using 2.5 mm HEX WRENCH (7) supplied.
- Place LEFT ESCUTCHEON (5a) onto MOUNTING BRACKET (1a) and secure with SET SCREW (6) using 2.5 mm HEX WRENCH (7) supplied.

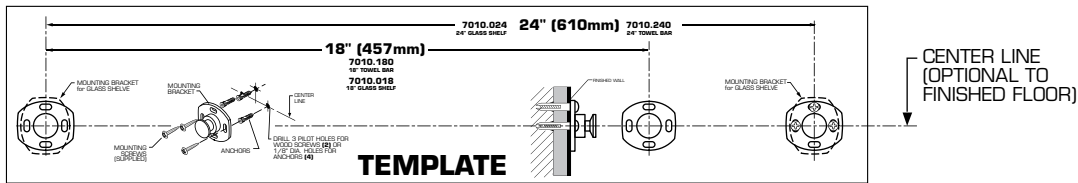
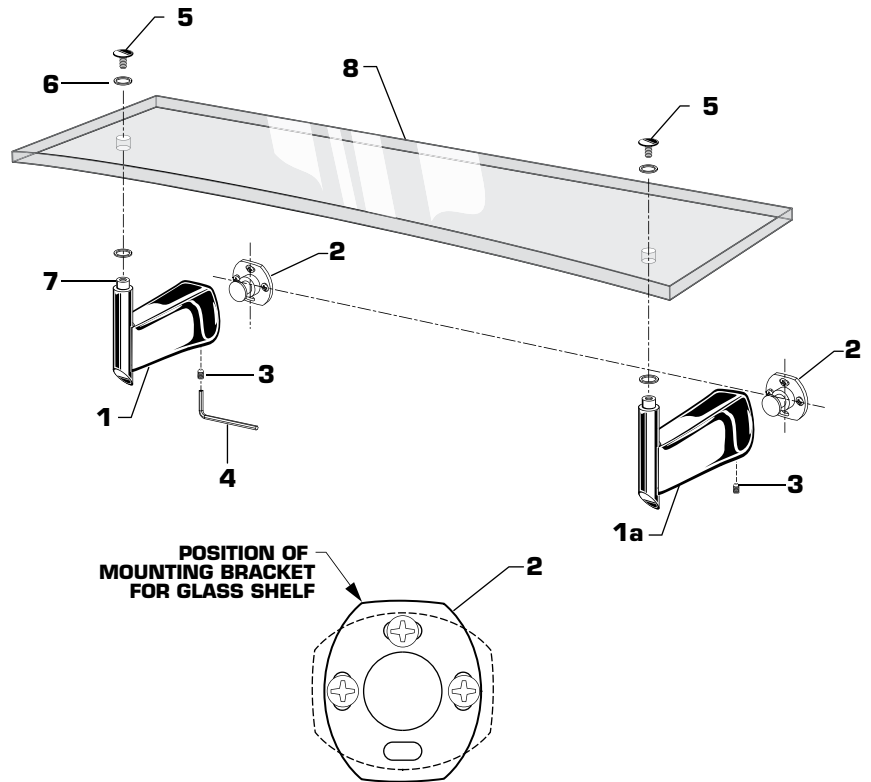
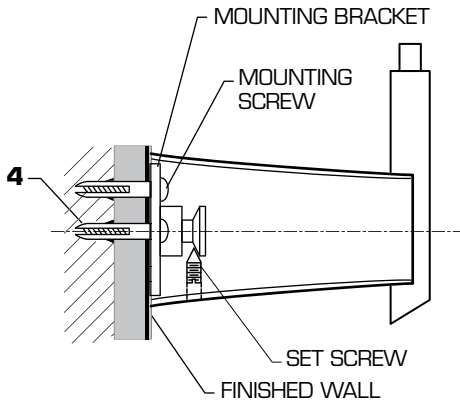


# 3

## INSTALL GLASS SHELF

*(NOTE POSITION OF MOUNTING BRACKET.)*

- Place ESCUTCHEON (1, 1a) onto installed MOUNTING BRACKETS (2) and secure with SET SCREWS (3) using 2.5mm HEX WRENCH (4) supplied.
- Remove SCREWS (5) and top WASHERS (6) from SHELF RISER (7).
- Install GLASS SHELF (8) onto SHELF RISERS (7).
- Secure GLASS SHELF (8) with SCREWS (5) and WASHERS (6).



### CARE INSTRUCTIONS:

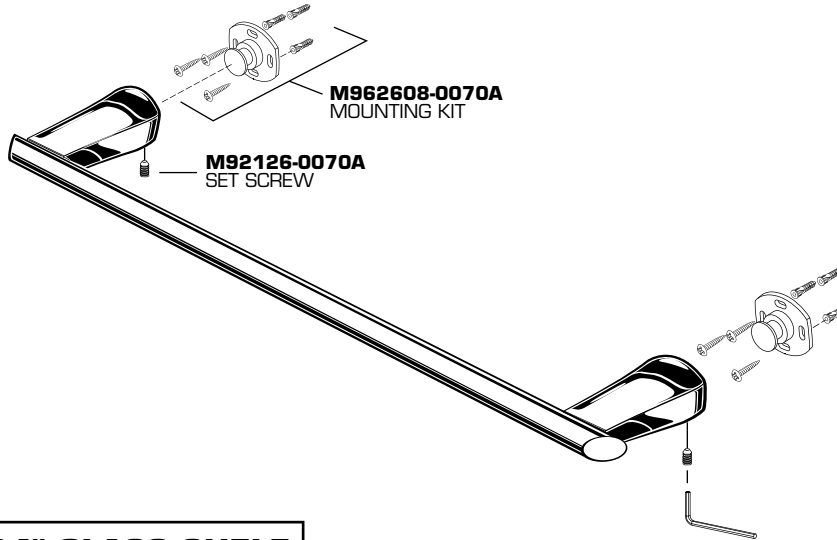
**DO: SIMPLY RINSE THE PRODUCT CLEAN WITH CLEAR WATER. DRY WITH A SOFT COTTON FLANNEL CLOTH.**

**DO NOT: CLEAN THE PRODUCT WITH SOAPS, ACID, POLISH, ABRASIVES, HARSH CLEANERS, OR A CLOTH WITH A COARSE SURFACE.**

# American Standard

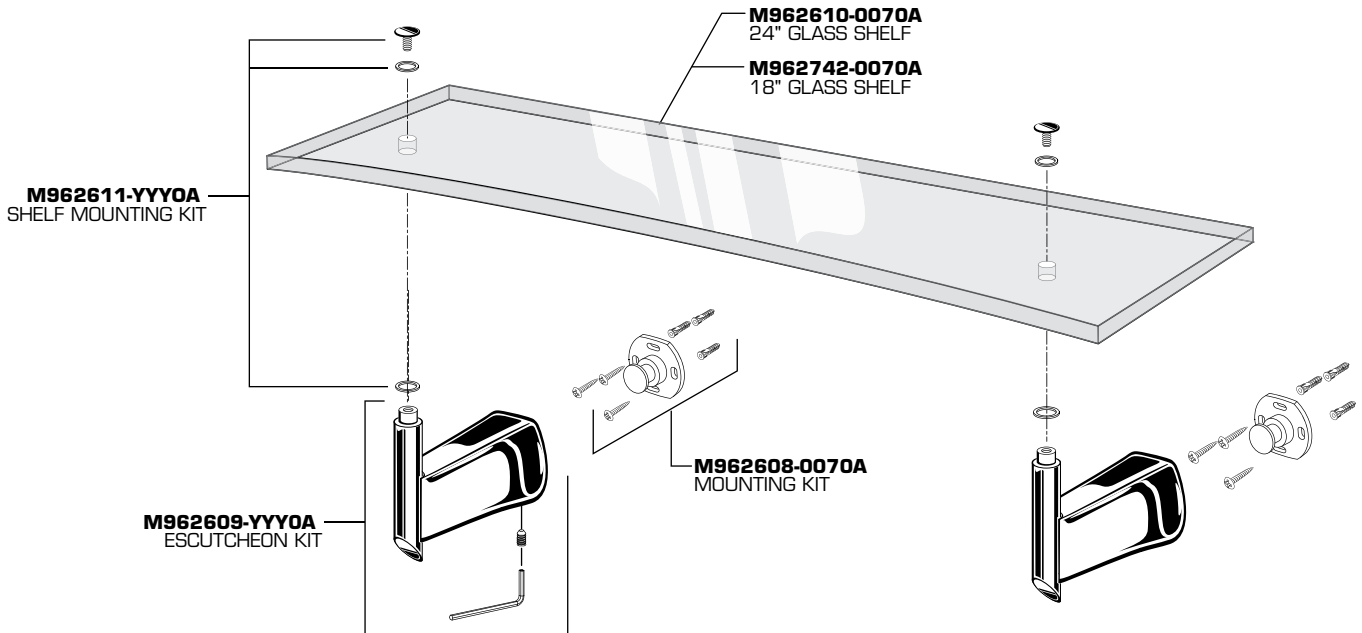
**GREEN TEA**  
**18" & 24" TOWEL BAR**  
**18" & 24" GLASS SHELF**  
**MODEL NUMBERS**

**18" & 24" TOWEL BAR**



**7010.180**  
**7010.240**  
**7010.018**  
**7010.024**

**18" & 24" GLASS SHELF**



Replace the "YYY" with appropriate finish code

CHROME	002
STAINLESS STEEL	075



**HOT LINE FOR HELP**

For toll-free information and answers to your questions, call:  
 1-800-442-1902  
 Weekdays 8:00 a.m. to 6:00 p.m. EST  
 IN CANADA 1-800-387-0369 (TORONTO 1-905-306-1093)  
 Weekdays 8:00 a.m. to 7:00 p.m. EST  
 IN MEXICO 01-800-839-12-00

Product names listed herein are trademarks of American Standard Inc.  
 © AS America, Inc. 2008